

## Model Q - Multi-Jet Magnetic Water Meter

The Q meter is a multi-jet meter with light body and top attachable register unit totally isolated from the water pressure.

- **Applications**

For domestic consumption

- **Available Sizes**

1/2" - 15mm

- **Standards**

MID 2004/22/EC (based on OIML R49  
EN 14154 y ISO 4064:2005),  
EEC (based on ISO 4064:1993)

**Features:**

- Sealed super dry magnetic register
- 6 digits counter + 3 pointers for high accuracy measurement readout
- Central "star" used for leak detection and electronic testing
- Lightweight
- Rotatable register for convenient positioning of dial



### Technical Specifications

<b>Maximum Working Pressure</b>	10 bar
<b>Maximum Working Temperature</b>	50°C
<b>Body</b>	Corrosion proof copper alloy
<b>Coupling threads</b>	BSP, NPSM

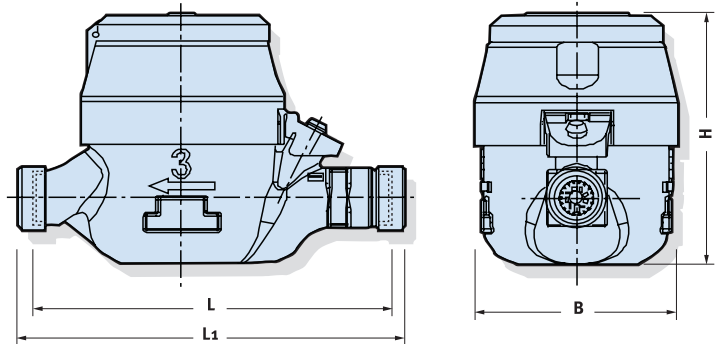


Q type dial

## Model Q - Multi-Jet Magnetic Water Meter

### Dimensions

Model		M15 (short)	M15
Nominal size	(mm)	15	15
	(inch)	1/2"	5/8"
L - Length without couplings (mm)		165	190
L <sub>1</sub> - Length with couplings (mm)		260	285
B - Width (mm)		82	82
H - Height (mm)		106	106
Weight (kg)		1.4	1.5
Weight with couplings (kg)		1.6	1.7



### Performance data:

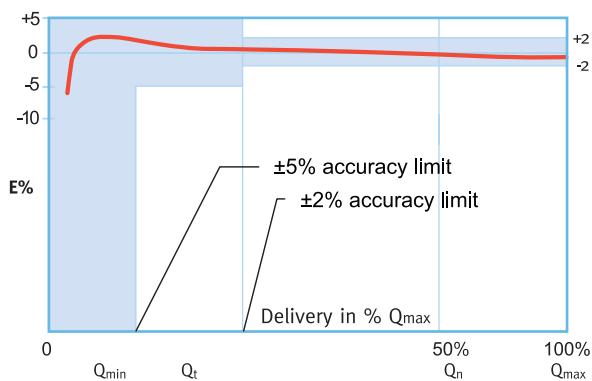
Metreological Characteristics according to EEC (based on ISO 4064:1993)

Model	Nominal size (inch)	Q <sub>max</sub> Maximum Flowrate (m <sup>3</sup> /h)	Q <sub>n</sub> Nominal Flowrate (m <sup>3</sup> /h)	Q <sub>t</sub> Transitional Flowrate (l/h)	Q <sub>min</sub> Minimum Flowrate (l/h)	Maximum register capacity (m <sup>3</sup> )	Smallest readable unit (liter)	Accuracy between Q <sub>max</sub> & Q <sub>t</sub>	Accuracy between Q <sub>t</sub> & Q <sub>min</sub>
Q15	1/2"	3	1.5	120	30	10 <sup>5</sup>	0.1	±2%	±5%

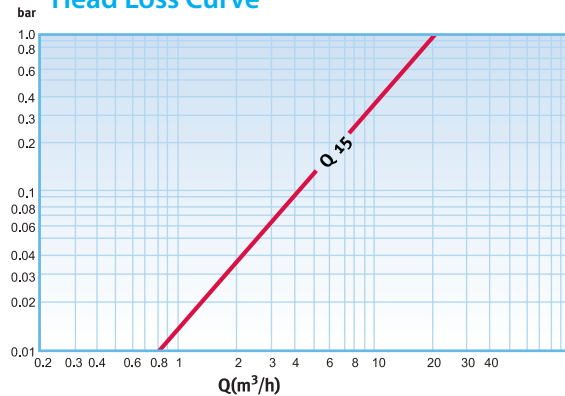
Metreological Characteristics according to MID 2004/22/EC (based on OIML R49 EN 14154 and ISO 4064:2005)

Model	Nominal size (inch)	Q <sub>4</sub> Maximum Flowrate (m <sup>3</sup> /h)	Q <sub>3</sub> Nominal Flowrate (m <sup>3</sup> /h)	Q <sub>2</sub> Transitional Flowrate (m <sup>3</sup> /h)	Q <sub>1</sub> Minimum Flowrate (m <sup>3</sup> /h)	R Q <sub>3</sub> \ Q <sub>1</sub>	Smallest readable unit (liter)
Q15	1/2"	2.000	1.6	0.0512	0.032	50	0.1

### Accuracy Curve



### Head Loss Curve



### Installation Requirements

- The Meter should be installed in horizontal position dial face up.
- Pipeline must be flushed before installation.
- The meter should be constantly full of water.